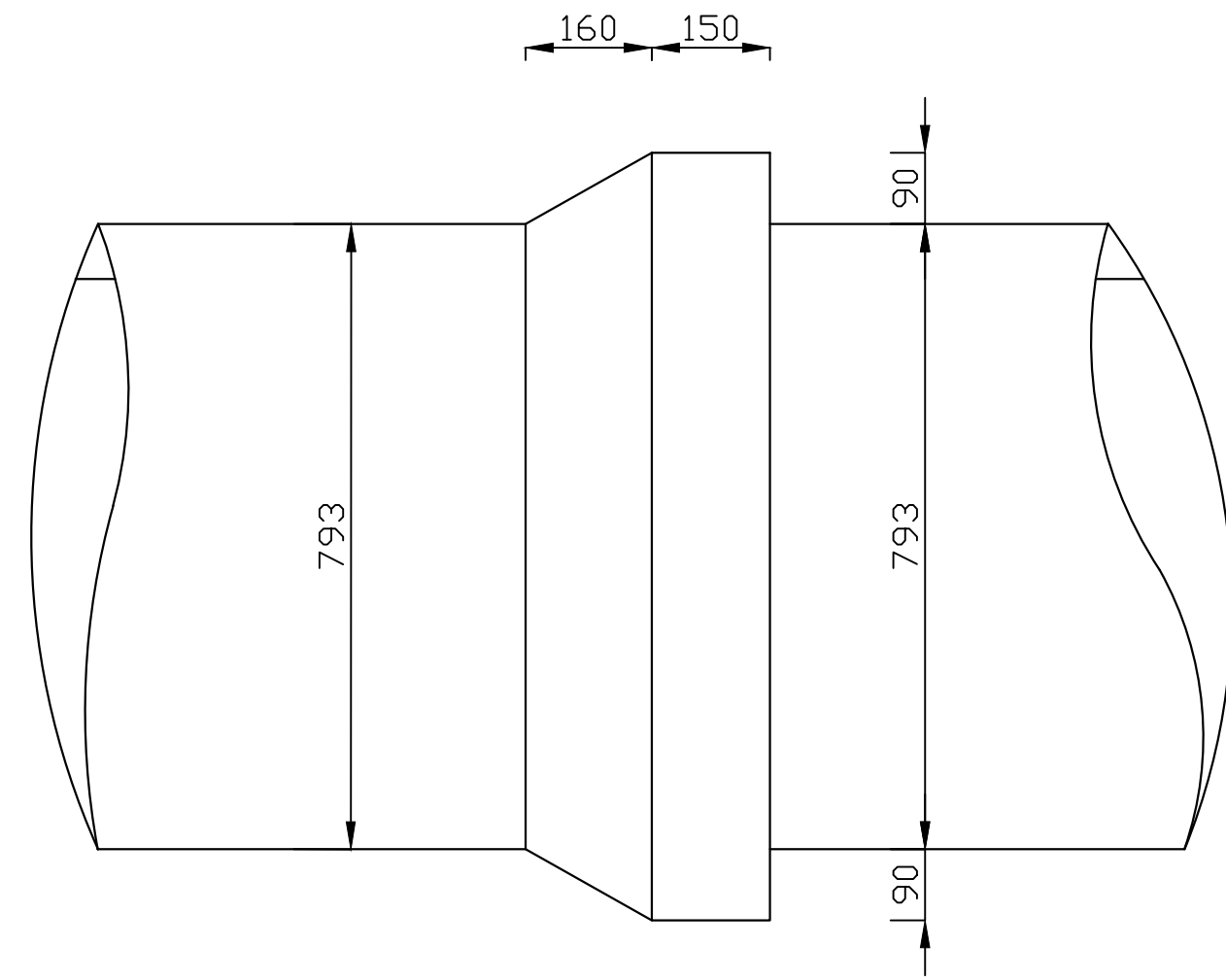
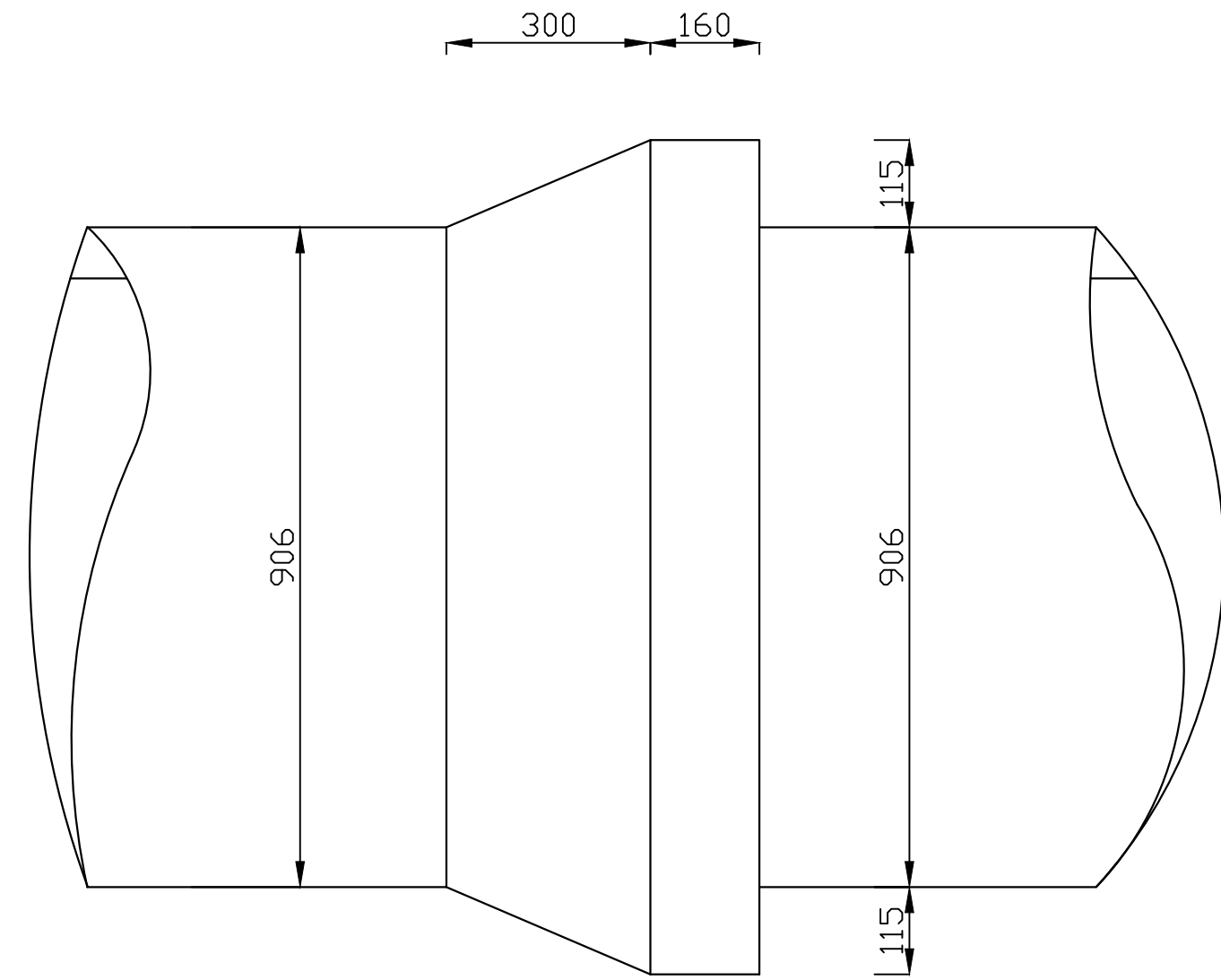


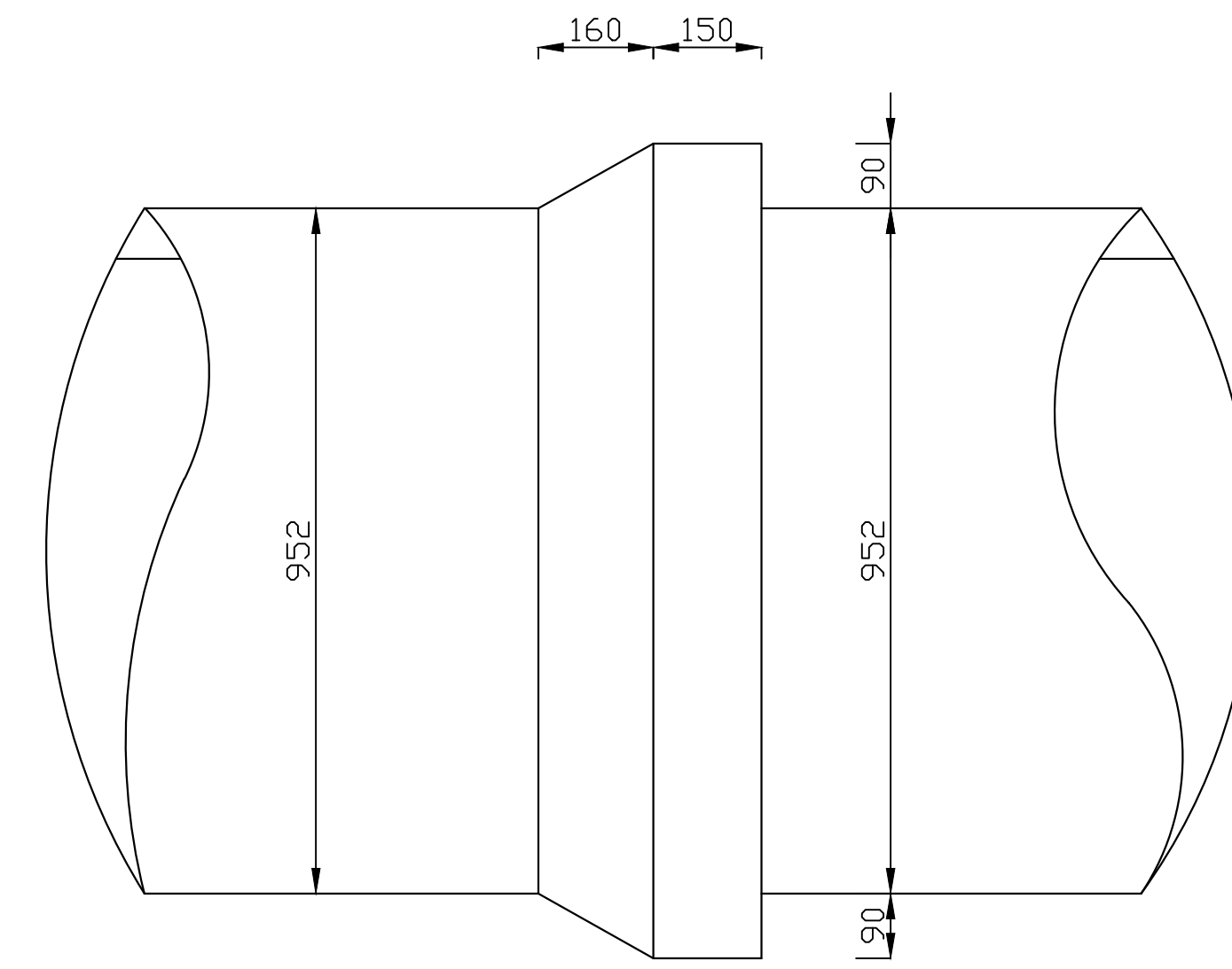
Tubo in c.a. DN 650



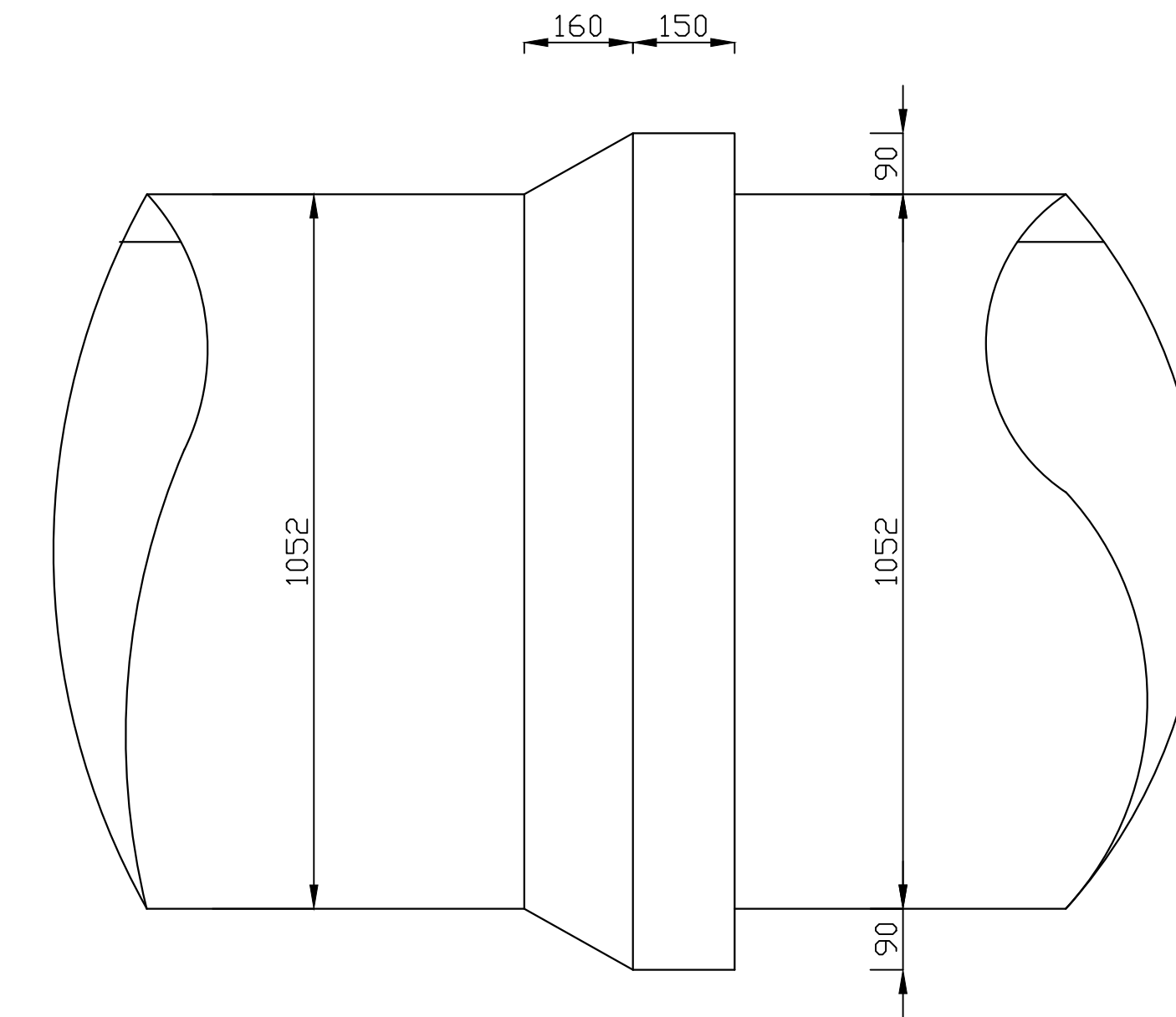
Tubo in c.a. DN 700



Tubo in c.a. DN 800



Tubo in c.a. DN 900



Tubo in c.a. DN 1000

